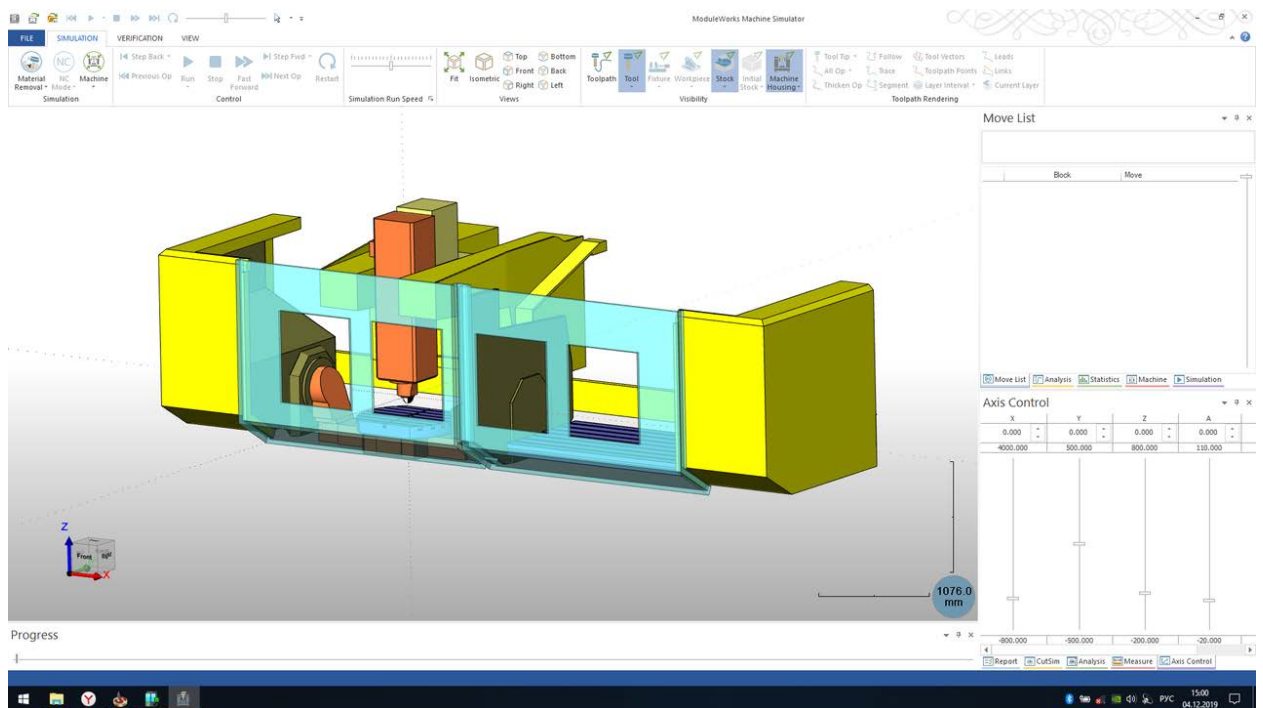
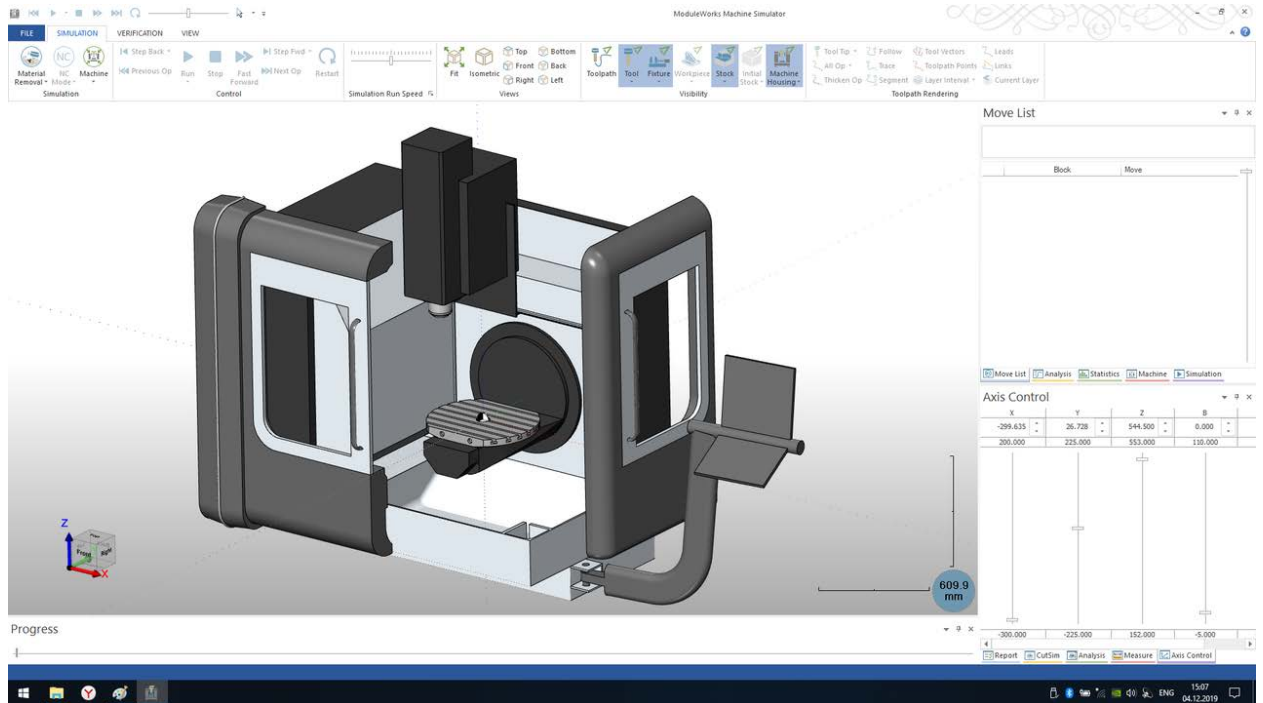


3D Machine Simulation

Реалистичная, полностью трехмерная визуализация обработки на станке с комплексными функциями проверки на столкновения и ограничения по осям.



ModuleWorks Machine Simulator

FILE SIMULATION VERIFICATION VIEW

Material Removal Mode Machine Simulation

1/4 Step Back Run Stop Fast Forward 1/4 Step Forward Restart

Simulation Run Speed

Fit Isometric Top Bottom Front Back Right Left

Views

Toolpath Tool Visibility

Initial Stock Machine Housing

Tool Tip Follow Tool Vectors Leads Linkis Current Layer

All Op Base Toolpath Points Thickened Segment Layer Internal

Toolpath Rendering

Machine

- S4aOkuma_MU400VA
 - mh_base
 - mh_black
 - mh_portal_1
 - mh_portal_2
 - X
 - Z
 - Z_axis
 - holder_transform
 - tool
 - Holder Part
 - Anchor Part
 - Shaft Part
 - Flute Part
 - Y
 - Y_axis
 - axis1

Move List Analysis Statistics Machine Simulation

Axis Control

X	Y	Z	A
0.000	0.000	-436.400	0.000
381.000	230.000	560.000	20.000

798.2 mm

Progress

Report CutSim Analysis Measure Axis Control

15:13 04.12.2019